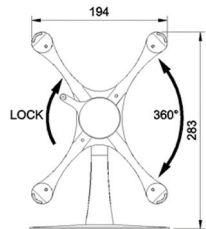
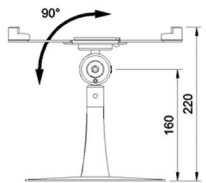


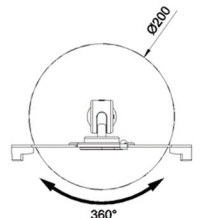
Assembly Instructions - Executive Desk Stand QUICK RELEASE



360 degree rotation
portrait to landscape

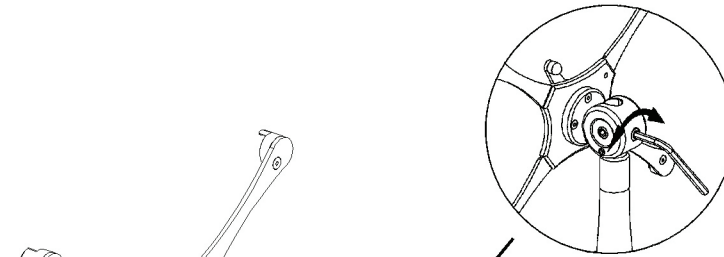


90 degree tilt



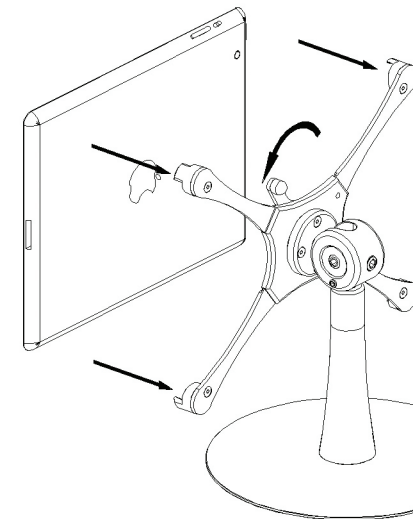
360 degree
swivel around base

Quick Release Holder

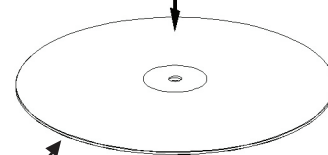


Stand

iPad



Base



Instructions:

1. Attach iPad stand to base using 5mm hex key.
2. Insert iPad holder and secure to stand using a 5mm hex key.
3. Insert Quick Release holder to stand and secure using 5mm hex key.
4. Fit iPad to holder and lock in place with lever.
5. Adjust iPad tilt using a 5mm hex key.

Monitors 
in Motion

Tools Required:
- 5 mm Hex Key (supplied)

