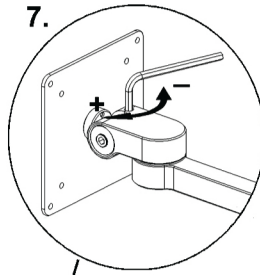
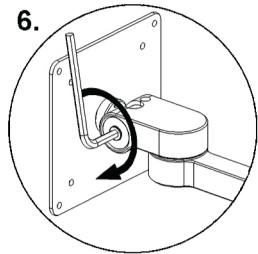
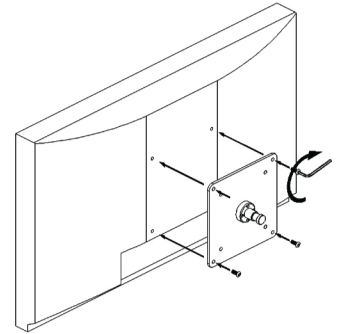


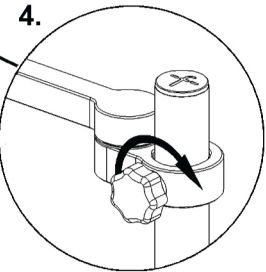
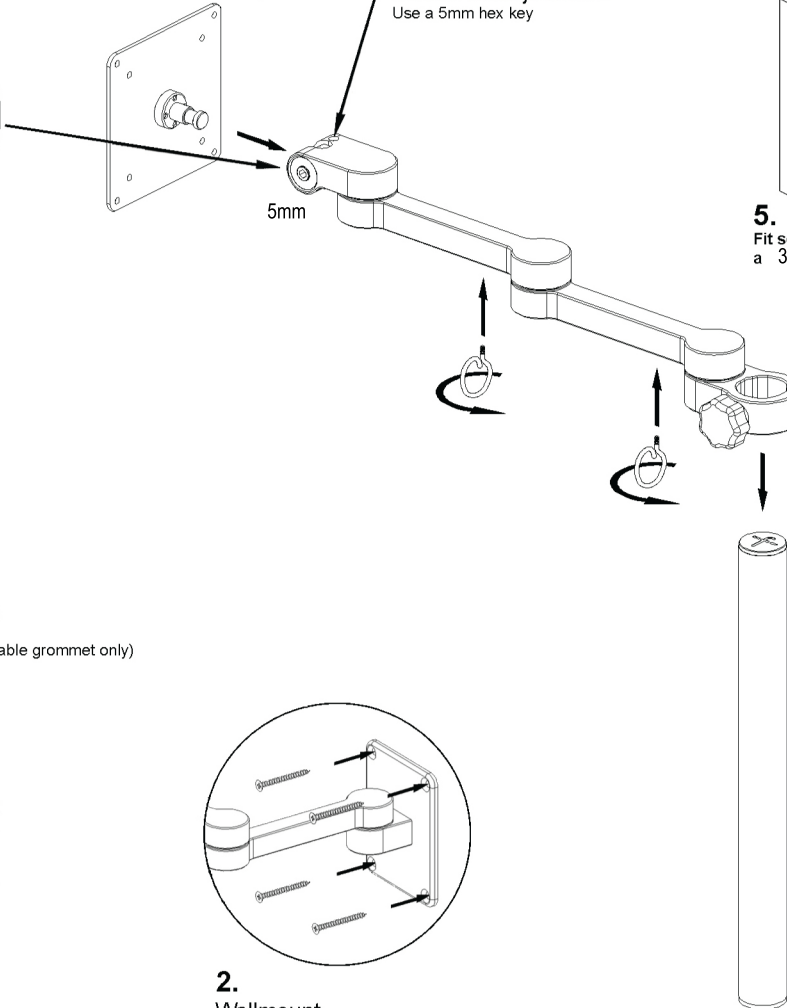
Assembly Instructions - The Copperhead



7.
Screen tilt adjustment
Use a 5mm hex key

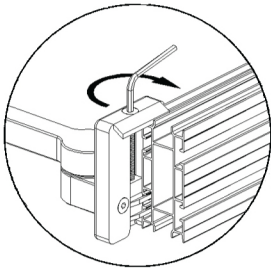


5.
Fit screen to VESA screen mount using
a 3mm hex key before attaching to arm

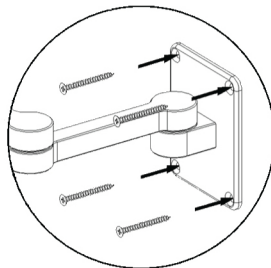


Tools Required

- 1 x 5mm hex key
- 1 x 4mm hex key (Slatwall clamp only)
- 1 x 2.5mm hex key
- 1 x 19mm Wrench (Through desk & Cable grommet only)

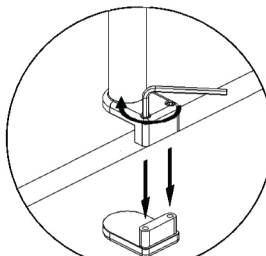


1.
Slatwall clamp
Fit to slatwall and tighten using
a 4mm hex key

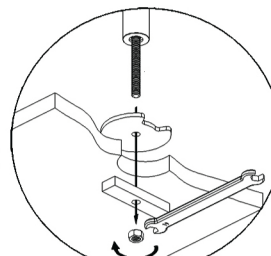


2.
Wallmount
Fit bracket to wall using suitable fixings
before attaching screen

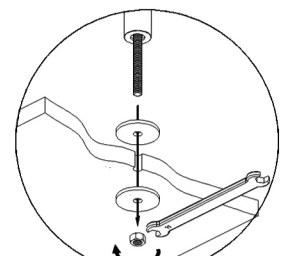
3. Post fitting options



Vice Clamp
5mm Hex keys



Cable grommet
19mm Wrench



Through desk
19mm Wrench